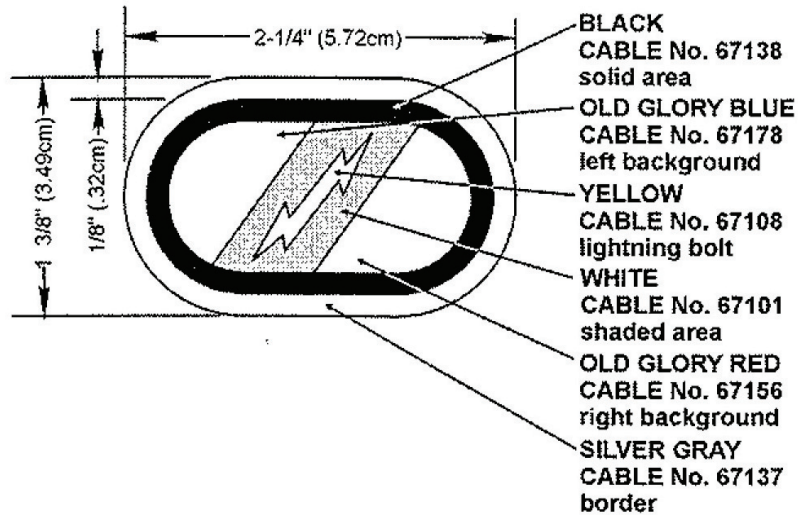


REVISIONS

LTR	DESCRIPTION	DATE	APPROVED
-----	-------------	------	----------



**DESIGNED FOR OVEREDGE STITCHING**

UNLESS OTHERWISE SPECIFIED DIMENSIONS ARE IN INCHES TOLERANCES ON FRACTIONS DECIMALS ANGLES

MATERIALS:  
TO BE MANUFACTURED IN ACCORDANCE WITH MIL-DTL-14652

EXAMINED	TLC	
CHECKED	pm	SAO
PREPARED	GS	
APPROVED		

*Charles V. Mugno*  
CHARLES V. MUGNO  
DIRECTOR

THE INSTITUTE OF HERALDRY, DEPARTMENT OF THE ARMY  
9325 GUNSTON RD, RM S-113 FORT BELVOIR, VA 22060-5579

BACKGROUND TRIMMING FOR  
**344TH PSYCHOLOGICAL  
OPERATIONS COMPANY**

SIZE CONTROL IDENT. NO  
**A 22571**

**A-6-305**

SCALE FULL DATE

**2 MAY 2012**